

【Use and characteristics】

- Shell is ABS flame retardant material.
- Plasma ions generator play a long-lasting and active positive and negative ion purification effect.
- This product can be used for a long-term.(Suggest clean the ion tube about 12 months later)
- It is suitable for the ventilation system of various air conditioners, dehumidifiers, air purifiers and other products. It can also be used in places prone to bacteria, viruses and peculiar smells.

【Technology Specification】

Model	FC-100	Power	5 W
Voltage	DC24V(Standard) AC 120V/240V (Optional)	Adapted air volume	700CFM(1200m ³ /h)
Application area	30 ~ 50 m ²	Weight	1.0 Kg
Noise	≤ 30 dB	Ion Tube quantity	1 (Standard)
Ion tube life	17000 Hours	Ion tube size	100mm(4inch)
Shell material	ABS		

【Fault Check】

Fault condition	Processing check
Indicator light is not lit or red	Check that the power cord is securely plugged into the body and is not loose. Check that the power supply socket Whether there is power supply. Red color indicates equipment failure, green color indicates normal.
Plasma generator not working	There is a slight current sound under normal conditions and a faint blue light in dark places. If found Ion tube burst, need to replace the ion.

Please send the following to the company's designated maintenance department for repairs.

1. The problem cannot be solved as described above.
2. Foreign matter or moisture enters, and abnormal conditions occur.

Warranty Card

(Please keep it properly)

Product Name		Product Number	
Purchase Time		Contact Number	
Customer information	Name/company		
	contact address		
Sales company stamp:			

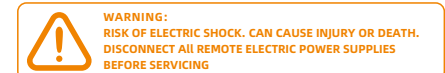
Plasma Ions | 

Plasma Air Sterilization Purification System

Model:FC-100



Please read the instructions before use



【Precautions】

There are electronic devices installed inside, do not open the case to avoid the risk of electric shock. Please read this [user manual] carefully before using the machine and follow the below points of operation base on the manual. Otherwise it may cause damage to product, or even cause injury to yourself or others at varying degrees.

- This machine is designed for only indoor general using. Do not place it open-air or high temperature place.
- Before operating the machine, make sure the power cord is firmly plugged into the power outlet, and place the power cord in a safe position. Do not touch, install or unplug the power cord with wet hands to avoid electric shock accidents.
- Before unplugging the power cord, please turn off the machine power in the correct procedure, otherwise it may cause damage to the machine.
- If don't use the machine for a long time, please unplug the power supply.

Before operation, please check whether the air inlet and outlet positions of the machine are blocked.

- Do not put debris at the air inlet or outlet, because there is the fan installed inside with high-speed rotation, it may caused injured if touch it.
- In order to ensure the best performance of the machine, do not place any obstacles within 1 meter nearby of the air outlet position and air introduction position.
- The machine has precision components built inside. Don't open the case by yourself to avoid damage to the machine parts and may happen dangerous.
- Do not dismantle the front wind panel or the chassis during machine is operating to avoid dangerous.
- Pay attention to ventilation when using it together with fuel appliances. Please do not use machine in the kitchen.
- Before cleaning the chassis of the machine, make sure turn off the power and unplug it of the machine. Only use cloth with a little clean water and clean it softly, don't use volatile cleaners.
- Forbidding to place and using in the bathroom, otherwise it may cause electric shock.

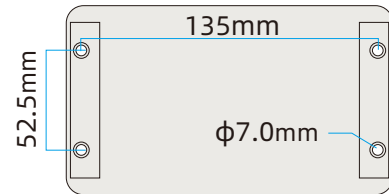
【Use and characteristics】

- Shell is ABS material.
- Plasma ions generator play a long-lasting and active positive and negative ion purification effect.
- This product can be used for a long-term. (Suggest clean the ion tube about 12 months later, clean or change the filter)
- It is suitable for the ventilation system of various air conditioners, dehumidifiers, air purifiers and other products. It can also be used in places prone to bacteria, viruses and peculiar smells.

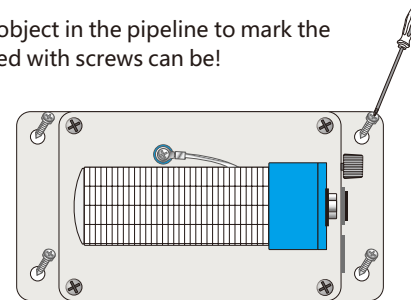
【Installation Instructions】

Note: Disconnect the power supply before installation, otherwise there is a risk of electric shock!

According to the size combined with the physical object in the pipeline to mark the location of the 4 holes and drill holes, and then fixed with screws can be!



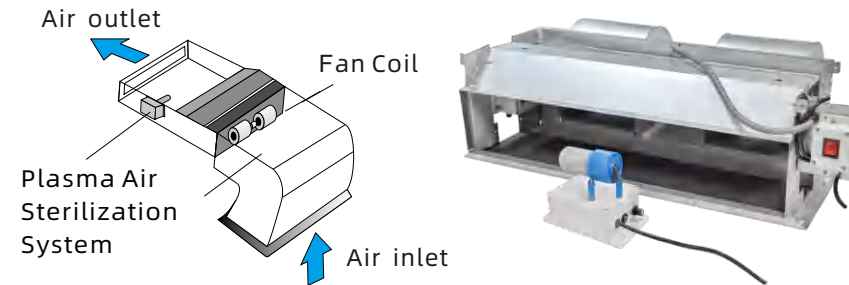
Bottom Hole Pitch Diagram



Front View

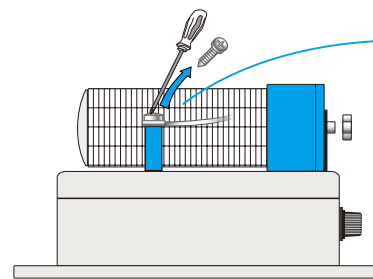
1. If space constraints prevent installation in the preferred location, refer to the alternate locations shown below.
2. Select a well-ventilated location in the air-handling unit where no foreign objects can obstruct the ionization tube.

Installation position description on fan coil

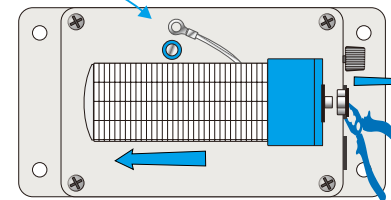


【Replacement method】

Note: Remember to unplug the power supply before replacing the ion tube!



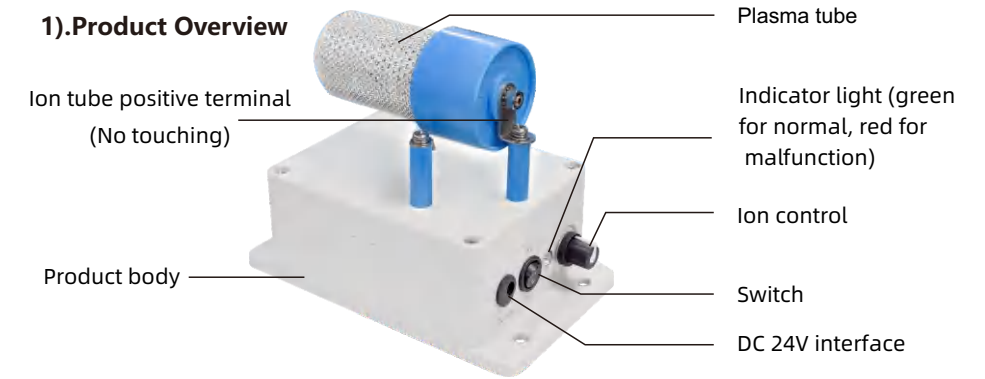
1. First, loosen and remove the screws from the glue posts and place them on the side.



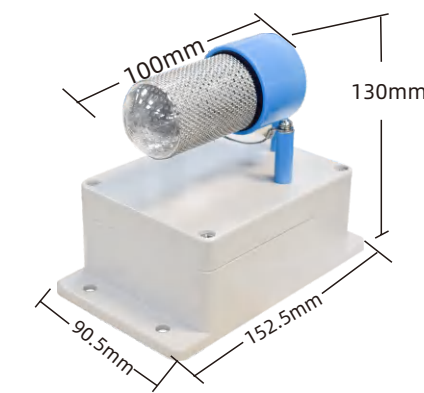
2. Loosen and remove the screw at the bottom of the ion tube, and finally just take the ion tube out to the left.

【Constituent unit】

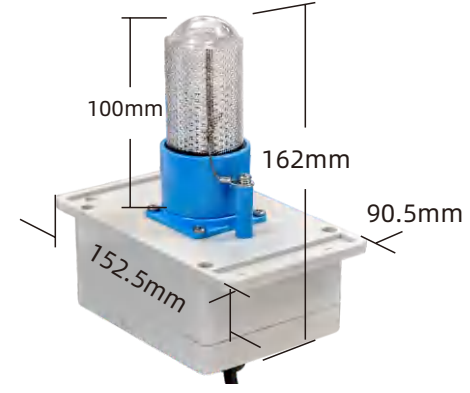
1). Product Overview



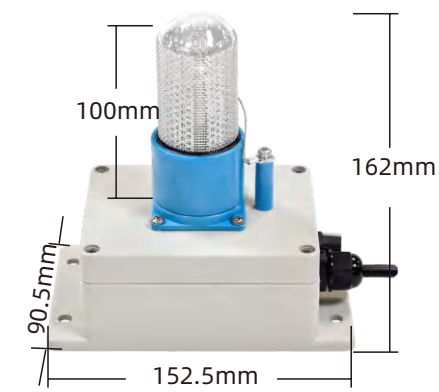
2). Product Size



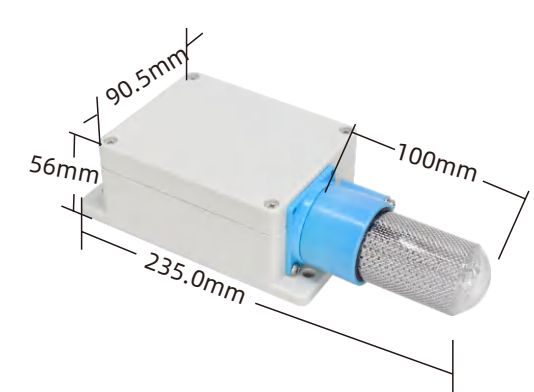
FC-100A (152.5*90.5*130mm)



FC-100B (152.5*90.5*162mm)



FC-100C (152.5*90.5*162mm)



FC-100D (235.0*90.5*56mm)