

PRODUCT SPECIFICATION

PS-501T

SPECIFICATIONS

Product information

Adaptive air volume	1800 CFM (3100 m ³ /h)
Application area	100m ²
Shell material	SPCC
Weight	2.85 kg
Product size	192*192*430 mm
Noise	≤20 dB

Electrical

Rated Voltage	120V AC / 240V AC
Frequency	50 / 60 Hz
Power	10 W

Internal Fuse/overload safety protection design and Power dual protection

Ionization Tube

Quantity	1 pcs
Size	350 mm
Estimated Tube Life	17000 Hours
Material	Various composite materials, stainless steel outer mesh

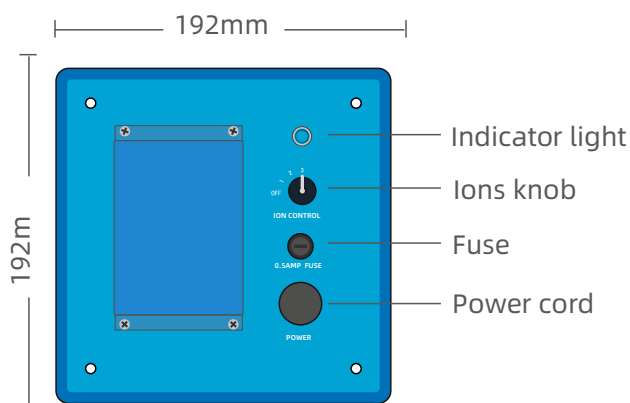


APPLICATION

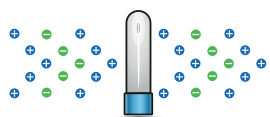
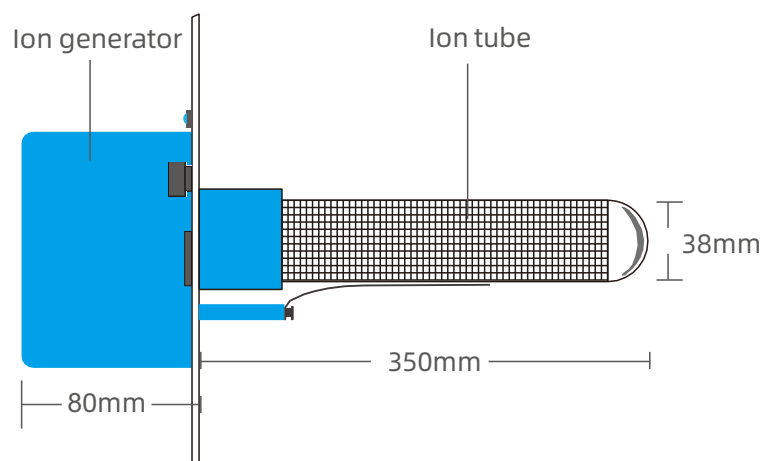
Eddaair PS-501T Ionization system is designed to be mounted in the supply air duct or air handling system of a heating, cooling or ventilation system. Power to the unit can be controlled with an optional air pressure differential switch or interlocked with the HVAC fan operation, provided the power delivered to the unit does not exceed its rated voltage. Ionization intensity can be adjusted with a three-step knob on the unit. Power to the unit can be turned off at the unit or quick disconnect at the power cord.

Optional/Available :

- 1/Air Pressure Switch
- 2/Remote Monitoring Panel
- 3/Ion Intensity Control



Ion generator



- Plasma Ions
- Sterilization
- HCoV
- GX-P2V
- H1N1
- ASFV
- EV71
- HCHO
- TVOC
- PM2.5
- Odor
- Air Volume